

Function :

This range is currently used together with manual hoists of high capacity to move heavy loads alongside beams.

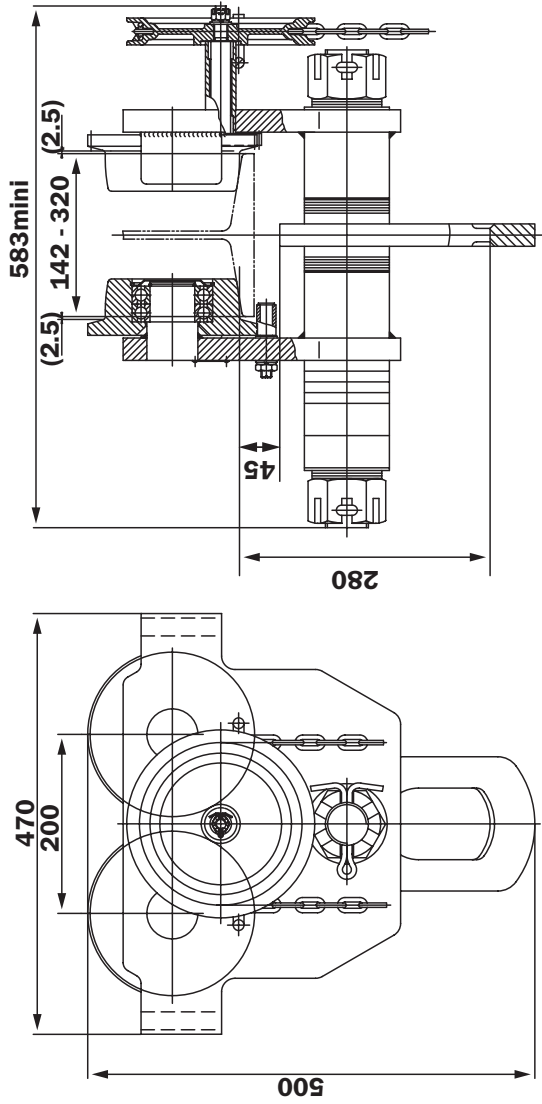
Moving these trolleys can be done either by pushing the load by hand (10 t model only) or by a hand wheel and an operating chain (both models 10 and 20 t).

Characteristics :

- Large sized side plates with en stops and anti drop device to ensure safe operation.
- Steel wheels with ball bearings for easy and smooth operation.
- Cross bar with adjusting washers and locking nuts to fit a large range of beams.
 - W.L.L.* : 10 t beam width adjustment from 142 to 320 mm.
 - W.L.L.* : 20 t beam width adjustment from 153 to 320 mm.
- **Mini curve radius :**
 - W.L.L.* : 10 t : 2.5 m.
 - W.L.L.* : 20 t : 5 m.
- **Headroom :**
 - W.L.L.* : 10 t : 280 mm.
 - W.L.L.* : 20 t : 270 mm.
- **Weight :**
 - Push type : W.L.L.* 10 t : 105 kg.
 - Geared type : W.L.L.* 10 t : 115 kg
W.L.L.* 20 t : 254 kg.

* : Working Load Limit

10t



20t

